

ASME B18.10-2006

[Revision of ANSI/ASME B18.10-1982 (R2005)]

Track Bolts and Nuts

ASMENORMDOC.COM : Click to view the full PDF of ASME B18.10 2006

AN AMERICAN NATIONAL STANDARD



The American Society of
Mechanical Engineers

Intentionally left blank

ASMENORMDOC.COM : Click to view the full PDF of ASME B18.10 2006

ASME B18.10-2006

[Revision of ANSI/ASME B18.10-1982 (R2005)]

Track Bolts and Nuts

ASMENORMDOC.COM : Click to view the full PDF of ASME B18.10 2006

AN AMERICAN NATIONAL STANDARD



**The American Society of
Mechanical Engineers**

Three Park Avenue • New York, NY 10016

Date of Issuance: August 14, 2006

This Standard will be revised when the Society approves the issuance of a new edition. There will be no addenda issued to this edition.

ASME issues written replies to inquiries concerning interpretations of technical aspects of this Standard. Interpretations are published on the ASME website under the Committee Pages at <http://www.asme.org/codes/> as they are issued.

ASME is the registered trademark of The American Society of Mechanical Engineers.

This code or standard was developed under procedures accredited as meeting the criteria for American National Standards. The Standards Committee that approved the code or standard was balanced to assure that individuals from competent and concerned interests have had an opportunity to participate. The proposed code or standard was made available for public review and comment that provides an opportunity for additional public input from industry, academia, regulatory agencies, and the public-at-large.

ASME does not “approve,” “rate,” or “endorse” any item, construction, proprietary device, or activity.

ASME does not take any position with respect to the validity of any patent rights asserted in connection with any items mentioned in this document, and does not undertake to insure anyone utilizing a standard against liability for infringement of any applicable letters patent, nor assume any such liability. Users of a code or standard are expressly advised that determination of the validity of any such patent rights, and the risk of infringement of such rights, is entirely their own responsibility.

Participation by federal agency representative(s) or person(s) affiliated with industry is not to be interpreted as government or industry endorsement of this code or standard.

ASME accepts responsibility for only those interpretations of this document issued in accordance with the established ASME procedures and policies, which precludes the issuance of interpretations by individuals.

No part of this document may be reproduced in any form,
in an electronic retrieval system or otherwise,
without the prior written permission of the publisher.

The American Society of Mechanical Engineers
Three Park Avenue, New York, NY 10016-5990

Copyright © 2006 by
THE AMERICAN SOCIETY OF MECHANICAL ENGINEERS
All rights reserved
Printed in U.S.A.

CONTENTS

Foreword	iv
Committee Roster	vi
Correspondence With the B18 Committee	vii
1 Introduction	1
2 General Data	1
Tables	
1 Oval Neck Track Bolts	3
2 Elliptic Neck Track Bolts	4
3 Track Bolt Nuts	5
4 Track Bolt Inspection Levels	5
5 Track Nut Inspection Levels	5
Nonmandatory Appendices	
A Oval Neck Track Bolts	6
B Elliptic Neck Track Bolts	7
C Track Bolt Nuts	8

ASMENORMDOC.COM : Click to view the full PDF of ASME B18.10 2006

FOREWORD

Sectional Committee B18 on Dimensional Standardization of Bolts, Nuts, Rivets, Screws, and Similar Fasteners was organized in March 1922, under the procedure of the American Standards Association with the Society of Automotive Engineers and The American Society of Mechanical Engineers as joint sponsors.

Following the organization of the Sectional Committee, subcommittees were appointed to facilitate development of standards for the several types of bolts and nuts within the scope of its activity. Subcommittee No. 4 on Track Bolts and Nuts was organized in March 1923. With the cooperation of the Rail Committee of the American Railway Engineering Association, Engineering Division of the American Railway Association, a study was made first of the various types of track bolts in use in the United States. In March 1924, two series of proposed standard dimensions for track bolt heads were developed conforming to that practice. This activity finally resulted in the approval and issuance of an American Standard known as B18d in November 1930.

Following its reorganization, the Sectional Committee in February 1947 decided that a further study should be made of the existing standards. Some types and sizes were no longer required nor specified by users. Furthermore, manufacturers presented data on the multiplicity of designs and dimensional features of nuts and bolts which complicated stock sizes, dies, and tools.

Therefore, a new subcommittee was formed in May 1947. It was agreed that a comprehensive series of tests would be beneficial, particularly in determining dimensional features of track nuts as compared to the strength and design of the track bolt. Plans for the tests were developed in detail and conducted at one of the Republic Steel Corporation's plants in Cleveland, Ohio during 1947 and 1948. These tests were mostly of the static tension type and involved hundreds of specimens and literally thousands of measurements.

Analysis of these tests indicated the desirability of making a series of torque tests which would be more in the nature of actual usage of track bolts and nuts in service.

Testing equipment was assembled and the actual work was conducted at the Roanoke, Virginia Shops of the Norfolk & Western Railway during 1949, using special equipment devised for the purpose. The resulting data have served as a guide in arriving at the revised standards presented in the table.

Practical features were also taken into consideration in connection with some of the dimensions, both of track bolts and track bolt nuts, to provide for usage in the field. All of the sizes in use for specific applications have not been included, because it would be impossible to incorporate all special sizes without enlarging the tables to an impractical extent.

The Subcommittee worked closely with committees of the American Railway Engineering Association and the American Iron and Steel Institute having jurisdiction in track bolt and nut standardization. These committees concur in principle with the revision that has been prepared. Their assistance and cooperation in arriving at the revised standards were important and are fully recognized.

The foregoing work resulted in the issuance of a revised standard known as American Standard Track Bolts and Nuts ASA B18.10-1952. All types of track bolts and nuts used by the various railroads and electric railways in the United States and Canada were studied by the committee, and it is their belief that the recommended dimensions are based on sound engineering design to meet existing conditions, present usage, and where possible, simplification of manufacture. Manufacturers of track bolts and nuts furnished data to the committee on sizes and types purchased over an extended period to determine the most generally used design. A program of static and torsion testing was conducted to establish the best engineering design, taking into account present-day joint bar designs, use of power wrenches, and other factors.

At a meeting on May 23, 1958, the Subcommittee proposed that several revisions of the standards be considered to simplify certain features and bring them up to date. These revisions were given further study in collaboration with the AREA Rail Committee. During a meeting on May 12, 1960, the Subcommittee recommended certain revisions in provisions for the wrench turn fit,

correction of errors in the "H" dimensions for the $\frac{5}{8}$ in. and $1\frac{1}{8}$ in. diameter bolts in Table 1, elimination of the dimensions for the $1\frac{1}{4}$ in. diameter track bolt and nut as this size had not been used, and an addition of a drawing to Table 3 to show the 25 deg chamfer track bolt nut in addition to the 60 deg chamfer track bolt nut. Later, the minimum dimensions for thickness *U* of the track bolt nuts in Table 3 were revised to correspond to the ASA B18.2-1960 standard. A revised draft incorporating the recommended changes received letter ballot approval of the Sectional Committee on August 29, 1962, and a receipt of sponsor approval was submitted to the American Standards Association with the recommendation for approval as an American Standard. This approval was granted on May 22, 1963.

In October 1981, the Subcommittee was requested to review the current specification dated 1963 and reaffirmed in 1975. This review resulted in a modification of the section on threads/thread-fit to conform with other standards on track bolts and nuts regarding terminology being used for measuring allowable resistance on free and wrench fit nuts. Other changes include cross-references to specific ASTM/AREA standards and appropriate ANSI specifications.

This Standard was approved by a letter ballot of Sectional Committee B18 on May 11, 1982. It was subsequently approved by the Sponsor and submitted to the American National Standards Institute for designation as an American National Standard. This designation was granted on November 2, 1982.

B18 Subcommittee No. 2 notified the American Railway Engineering and Maintenance of Way Association (AREMA) in May of 2001 that this Standard was out of date and needed a revision. It offered to prepare a new draft standard working with AREMA representatives in a joint effort. Several drafts were prepared and discussed and in April of 2005, it was agreed to submit a document with the latest revisions for B18 approval. AREMA was given a copy for further comment prior to the ballot.

This Standard was approved as an American National Standard on June 21, 2006.

ASME B18 COMMITTEE

Standardization of Bolts, Nuts, Rivets, Screws, Washers, and Similar Fasteners

(The following is the roster of the Committee at the time of approval of this Standard.)

STANDARDS COMMITTEE OFFICERS

D. A. Clever, *Chair*
R. D. Strong, *Vice Chair*
S. W. Vass, *Vice Chair*
R. L. Crane, *Secretary*

STANDARDS COMMITTEE PERSONNEL

J. B. Belford , Lawson Products, Inc.	W. H. Kopke , ITW Shakeproof Assembly Components
V. Cartina , Aztech Locknut	J. G. Langenstein , <i>Member Emeritus</i> , Consultant
D. A. Clever , Deere & Co.	W. J. Lutkus , Emhart Industrial Heli-Coil
A. P. Cockman , Ford Motor Co.	D. McCrindle , Canadian Fasteners Institute
R. L. Crane , The American Society of Mechanical Engineers	M. D. Prasad , General Motors Corp.
A. C. DiCola , Wrought Washer Co.	J. A. Roley , <i>Corresponding Member</i> , Caterpillar, Inc.
B. A. Dusina , Federal Screw Works	W. L. Sakowski , Account Managers, LLC
J. S. Foote , <i>Corresponding Member</i> , Trade Association Management, Inc.	S. Savoji , ITW Medalist
D. S. George , Ford Motor Co.	W. Schevey , BGM Fastener Co., Inc.
J. Greenslade , Greenslade & Co.	W. R. Stevens , Ramco
J. J. Grey , Fastener Consulting Services, Inc.	R. D. Strong , General Motors Corp.
B. Hasiuk , Defense Industrial Supply Center Philadelphia	S. W. Vass , Consultant
A. Herskovitz , Consultant	C. B. Wackrow , MNP Corp.
J. Hubbard , Rockford Fastener, Inc.	W. K. Wilcox , Consultant
J. Jennings , <i>Corresponding Member</i> , Naval Surface Warfare Center	C. B. Williamson , Fastenal Co.
M. Keller , <i>Corresponding Member</i> , Paracad Technology Co.	C. J. Wilson , Industrial Fasteners Institute
J. F. Koehl , Spirol International Corp.	R. B. Wright , Wright Tool Co.
	J. G. Zeratsky , National Rivet & Manufacturing Co.

SUBCOMMITTEE 2 — EXTERNALLY DRIVEN FASTENERS

S. W. Vass , <i>Chair</i> , Consultant	J. Jennings , <i>Corresponding Member</i> , Naval Surface Warfare Center
R. L. Crane , <i>Secretary</i> , The American Society of Mechanical Engineers	M. Keller , Paracad Technology Co.
H. S. Brenner , Almay Consultants	D. McCrindle , Canadian Fasteners Institute
D. A. Clever , Deere & Co.	R. B. Meade , R. Bruce Meade & Associates, LLC
A. P. Cockman , Ford Motor Co.	J. A. Roley , Caterpillar, Inc.
B. A. Dusina , Federal Screw Works	S. Savoji , ITW Medalist
J. S. Foote , Trade Association Management, Inc.	G. M. Simpson , Semblex Corp.
D. S. George , Ford Motor Co.	W. R. Stevens , Ramco
J. Greenslade , Greenslade & Co.	R. D. Strong , General Motors Corp.
A. Herskovitz , Consultant	C. B. Wackrow , MNP Corp.
M. W. Holubecki , Electric Boat Corp.	W. K. Wilcox , Consultant
J. Hubbard , Rockford Fastener, Inc.	C. B. Williamson , Fastenal Co.
	C. J. Wilson , Industrial Fasteners Institute

CORRESPONDENCE WITH THE B18 COMMITTEE

General. ASME Standards are developed and maintained with the intent to represent the consensus of concerned interests. As such, users of this Standard may interact with the Committee by requesting interpretations, proposing revisions, and attending Committee meetings. Correspondence should be addressed to:

Secretary, B18 Standards Committee
The American Society of Mechanical Engineers
Three Park Avenue
New York, NY 10016-5990

Proposing Revisions. Revisions are made periodically to the Standard to incorporate changes that appear necessary or desirable, as demonstrated by the experience gained from the application of the Standard. Approved revisions will be published periodically.

The Committee welcomes proposals for revisions to this Standard. Such proposals should be as specific as possible, citing the paragraph number(s), the proposed wording, and a detailed description of the reasons for the proposal, including any pertinent documentation.

Interpretations. Upon request, the B18 Standards Committee will render an interpretation of any requirement of the Standard. Interpretations can only be rendered in response to a written request sent to the Secretary of the B18 Standards Committee.

The request for an interpretation should be clear and unambiguous. It is further recommended that the inquirer submit his/her request in the following format:

Subject: Cite the applicable paragraph number(s) and the topic of the inquiry.
Edition: Cite the applicable edition of the Standard for which the interpretation is being requested.
Question: Phrase the question as a request for an interpretation of a specific requirement suitable for general understanding and use, not as a request for an approval of a proprietary design or situation. The inquirer may also include any plans or drawings, which are necessary to explain the question; however, they should not contain proprietary names or information.

Requests that are not in this format may be rewritten in the appropriate format by the Committee prior to being answered, which may inadvertently change the intent of the original request.

ASME procedures provide for reconsideration of any interpretation when or if additional information that might affect an interpretation is available. Further, persons aggrieved by an interpretation may appeal to the cognizant ASME Committee or Subcommittee. ASME does not "approve," "certify," "rate," or "endorse" any item, construction, proprietary device, or activity.

Attending Committee Meetings. The B18 Standards Committee regularly holds meetings, which are open to the public. Persons wishing to attend any meeting should contact the Secretary of the B18 Standards Committee.

Intentionally left blank

ASMENORMDOC.COM : Click to view the full PDF of ASME B18.10 2006

TRACK BOLTS AND NUTS

1 INTRODUCTION

1.1 Scope

This Standard covers the complete general and dimensional data for inch series oval neck and elliptic neck track bolts and square nuts intended for use with these bolts, and recognized as an American National Standard. Sizes in use, but not recommended for new design, are included in the appendices of this Standard.

1.2 Comparison to ISO Standards

There is no ISO standard for these products at this time.

1.3 Dimensions

The inclusion of dimensional data in this Standard is not intended to imply that all of the products described herein are stock production sizes. Purchasers should consult with suppliers concerning lists of stock production sizes.

All dimensions in this Standard are in inches, unless otherwise stated, and apply to unplated or uncoated products. When plating or coating is specified, the finished product dimensions shall be as agreed upon between supplier and purchaser.

Definitions of specified geometric characteristics are in accordance with ASME Y14.5M.

1.4 Options

Options, where specified, shall be at the discretion of the manufacturer unless otherwise agreed upon by the manufacturer and the purchaser.

1.5 Terminology

All terms used in this Standard are defined in ASME B18.12.

1.6 References

Unless otherwise specified, the referenced standard shall be the most recent issue at the time of order placement.

ASME B1.1, Unified Inch Screw Threads (UN and UNR Thread Form)

ASME B1.3M, Screw Thread Gaging Systems for Dimensional Acceptability—Inch and Metric Screw Threads (UN, UNR, UNJ, M, and MJ)

ASME B18.2.1, Square and Hex Bolts and Screws (Inch Series)

ASME B18.2.2, Square and Hex Nuts (Inch Series)

ASME B18.12, Glossary of Terms for Mechanical Fasteners

ASME B18.18.1M, Inspection and Quality Assurance for General Purpose Fasteners

ASME B18.18.2M, Inspection and Quality Assurance for High-Volume Machine Assembly Fasteners

ASME B18.18.3M, Inspection and Quality Assurance for Special Purpose Fasteners

ASME B18.18.4M, Inspection and Quality Assurance for Fasteners for Highly Specialized Engineered Applications

ASME B18.24, Part Identifying Number (PIN) Code System for B18 Fastener Products

ASME Y14.5M, Dimensioning and Tolerancing

Publisher: The American Society of Mechanical Engineers (ASME), Three Park Avenue, New York, NY 10016-5990; Order Department: 22 Law Drive, P.O. Box 2300, Fairfield, NJ 07007-2300

ASTM A 183, Specification for Carbon Steel Track Bolts and Nuts

ASTM A 354, Standard Specification for Quenched and Tempered Alloy Steel Bolts, Studs, and Other Externally Threaded Fasteners

ASTM A 449, Standard Specification for Quenched and Tempered Steel Bolts and Studs

ASTM A 563, Carbon and Alloy Steel Nuts

ASTM F 788/F 788M, Standard Specification for Surface Discontinuities of Bolts, Screws, and Studs—Inch and Metric Series

ASTM F 812/F 812M, Standard Specification for Surface Discontinuities of Nuts—Inch and Metric Series

Publisher: ASTM International (ASTM), 100 Barr Harbor Drive, P.O. Box C700, West Conshohocken, PA 19428-2959

1.7 Part Identifying Number

A numbering system for the specification of these standard products is found in ASME B18.24.

2 GENERAL DATA

2.1 Heads

The design and dimensions of the heads have been commonly referred to as the mushroom head.

2.2 Necks

Types of track bolts are designated as “oval neck” and “elliptic neck.”

2.3 Body Diameters

This Standard provides for two styles of body diameters. Bolts shall be provided with a full size body in accordance with the respective table dimensions of Table 1 or 2 for body diameter, E , unless a reduced body diameter is specified on the purchase order. These shall have a body diameter not less than the minimum pitch diameter of the thread and not exceeding the minimum body diameter, E , shown in Table 1 or 2.

2.4 Bolt Length

The bolt length shall be the distance measured parallel to the axis of the product from the bearing surface of the head to the extreme end of the bolt, including the point if the product is pointed.

2.5 Threads

Bolt threads shall be rolled unless otherwise agreed to between the purchaser and the supplier.

Threads shall be Unified Inch Series, Class 2A as specified in respective dimensional tables in ASME B1.1.

2.5.1 Thread Acceptance Gaging. Unless otherwise specified, dimensional acceptability of screw threads shall be determined based on System 21, ASME B1.3M.

2.6 Thread Length

The length of thread shall be measured parallel to the axis of the bolt from the end of the bolt to the last complete (fully formed) thread. The minimum thread length, L_T , shall be as shown in Tables 1 and 2. The tolerance on thread length shall be $+0.187$ in. or $2.5 \times$ pitch, whichever is greater. Bolts of nominal lengths too short to accommodate the minimum thread lengths shall be threaded full length. The distance from the neck to the first complete (full form) thread shall not exceed $2\frac{1}{2}$ threads for sizes up to and including 1 in. and $3\frac{1}{2}$ threads for sizes over 1 in.

2.7 Pointed Products

Unless otherwise specified, bolts need not be pointed. When pointed, the first full formed thread at a major diameter is located at a distance no greater than 2 times the pitch measured from the end of the screw. This distance is to be determined by measuring how far the point enters into a cylindrical NOT GO major diameter ring gage.

2.8 Straightness

Shanks of bolts shall be straight within the following limits at Maximum Material Condition (MMC). For bolts with nominal lengths up to and including 12 in., the

maximum camber shall be 0.006 in. per inch ($0.006L$) of bolt length. For bolts having a full diameter body, a typical gage and gaging procedure for checking bolt straightness is given in Appendix I of ASME B18.2.1. For bolts with an undersized body, the gaging method shall be the sleeve gage shown in Appendix II of ASME B18.2.1.

2.9 Track Bolt Nuts

Track bolt nuts shall be dimensionally in accordance with ASME B18.2.2. Selected sizes are included in Table 3.

2.10 Finish

Unless otherwise specified, bolts and nuts shall be supplied with a plain (as processed) finish, unplated or uncoated.

2.11 Workmanship

Bolts and nuts shall be visually, without magnification, free from burrs, seams, laps, loose scales, irregular surfaces, and any defects affecting their serviceability.

When control of surface discontinuities for bolts is required, the purchaser shall specify conformance to ASTM F 788/F 788M.

When control of surface discontinuities for nuts is required, the purchaser shall specify conformance to ASTM F 812/F 812M.

2.12 Designation

Bolts and nuts shall be designated by data in the following sequences as shown:

- (a) product name
- (b) nominal size (fractional or decimal equivalent)
- (c) threads per inch
- (d) product length (fractional or two-place decimal equivalent)
- (e) material, including specification where necessary
- (f) protective finish if required

See the following examples:

EXAMPLES:

- (1) Oval neck track bolt, ASME B18.10, $\frac{7}{8} - 9 \times 2\frac{1}{2}$, steel, ASTM A 449, Type 3, plain finish
- (2) Heavy square nut, ASME B18.10, $\frac{7}{8} - 9$, steel, ASTM A 563, Grade DH, plain finish

2.13 Identification Symbols

2.13.1 Grade Symbols. Each track bolt and track nut shall be marked in accordance with its material, mechanical, or performance requirements.

2.13.2 Source Symbols. All track bolts and track nuts shall be marked to identify the manufacturing source using a mark registered with U.S. Patent and Trademark Office in accordance with the Fastener Quality Act.

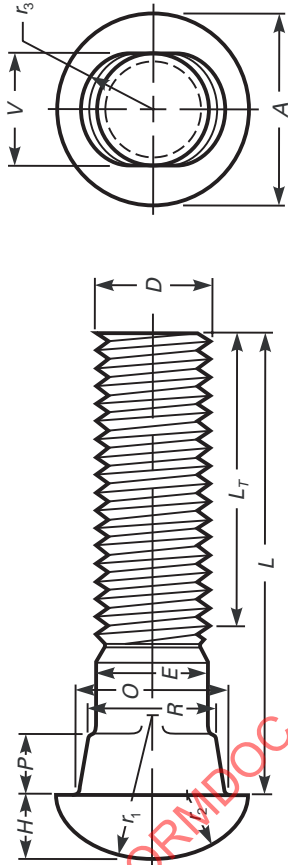


Table 1 Oval Neck Track Bolts

Nominal Diameter and Threads per Inch, D , [Notes (1), (2)]	Full Size Body Diameter, E		Head			Neck			Length Under Head, L [Note (3)]	Minimum Thread Length, l			
	Min.	Max.	Min.	Nom.	Max.	Min.	Nom.	Max.					
$1/2-13$	0.482	0.515	$5/16$	0.2500	0.3750	$11/16$	$9/32$	$19/32$	0.5625	0.6250	$5/16$	Under 7 in.	$1 1/8$
$5/8-11$	0.605	0.642	$25/64$	0.3281	0.4531	$59/64$	$23/64$	$25/32$	0.7500	0.8125	$3/8$	by steps of $1/4$ in.	$1 1/4$
$3/4-10$	0.729	0.768	$15/32$	0.4063	0.5313	$15/32$	$7/16$	$1 1/16$	1.0000	1.0625	$7/16$	body diam. of bolt	$1 3/4$
$7/8-9$	0.852	0.895	$35/64$	0.4844	0.6094	$1 25/64$	$33/64$	$1 7/32$	1.1563	1.2188	$1/2$	Same as body diam. of bolt	2
1-8	0.976	1.022	$1 1/16$	0.5625	0.6875	$1 5/8$	$19/32$	$1 3/8$	1.3125	1.3750	$9/16$	From 7 in. to 10 in. by steps of $1/2$ in.	$2 1/4$
$1 1/8-7$	1.098	1.149	$45/64$	0.6406	0.7656	$1 55/64$	$43/64$	$1 17/32$	1.4688	1.5313	$5/8$		$2 1/2$

GENERAL NOTES:

(a) All dimensions are given in inches.

(b) Tolerances: Length $L \pm 1/8$ in.

Neck O and $R \pm 1/32$ in.

Head A and $H \pm 1/16$ in.

NOTES:

(1) In ordering bolts, specify the nominal diameter D over the threads and not the body diameter.

(2) Standard sizes for industrial use are $1/2$, $5/8$, $3/4$, $7/8$, and 1 in. with heavy square nuts. See Table 3.

(3) Applies to all rows.

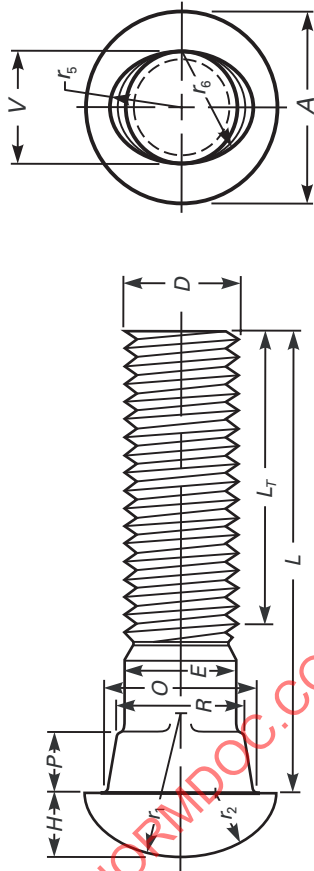


Table 2 Elliptic Neck Track Bolts

Nominal Diameter and Threads per Inch, D	Full Size Body Diameter, E			Head			Neck			Length Under Head, L [Note (2)]	Minimum Thread Length, l										
	Min.	Max.	Nom.	Min.	Nom.	Max.	Min.	Nom.	Max.			V [Note (2)]									
$3/4-10$	0.729	0.768	$1^{9/32}$	1.2188	1.3438	$1^{5/32}$	0.4063	0.5313	$1^{5/32}$	$7/16$	$63/64$	0.9531	1.0156	$61/64$	0.9219	0.9844	$7/16$	$9/32$	$41/64$	Under 7 in. by steps of $1/4$ in.	$1^{3/4}$
$7/8-9$	0.852	0.895	$1^{31/64}$	1.4219	1.5469	$1^{25/64}$	0.4844	0.6094	$1^{25/64}$	$33/64$	$1^{3/16}$	1.1563	1.2188	$1^{5/32}$	1.1250	1.1875	$1/2$	$5/16$	$51/64$	Same as body diam. of bolt	2
1-8	0.976	1.022	$1^{11/16}$	1.6250	1.7500	$1^{5/8}$	0.5625	0.6875	$1^{5/8}$	$19/32$	$1^{3/8}$	1.3438	1.4063	$1^{11/32}$	1.3125	1.3750	$9/16$	$3/8$	$15/16$	From 7 in. to 10 in. by steps of $1/2$ in.	$2^{1/4}$
$1^{1/8}-7$	1.098	1.149	$1^{57/64}$	1.8281	1.9531	$1^{45/64}$	0.6406	0.7656	$1^{55/64}$	$43/64$	$1^{1/2}$	1.5313	1.4688	$1^{15/32}$	1.4375	1.5000	$5/8$	$7/16$	1	From 7 in. to 10 in. by steps of $1/2$ in.	$2^{1/2}$

GENERAL NOTES:

(a) All dimensions are given in inches.

(b) Tolerances: Length $L \pm 1/8$ in.

Neck O and $R \pm 1/32$ in.

Head A and $H \pm 1/16$ in.

NOTES:

(1) In ordering bolts, specify the nominal diameter D over the threads and not the body diameter.

(2) Applies to all rows.

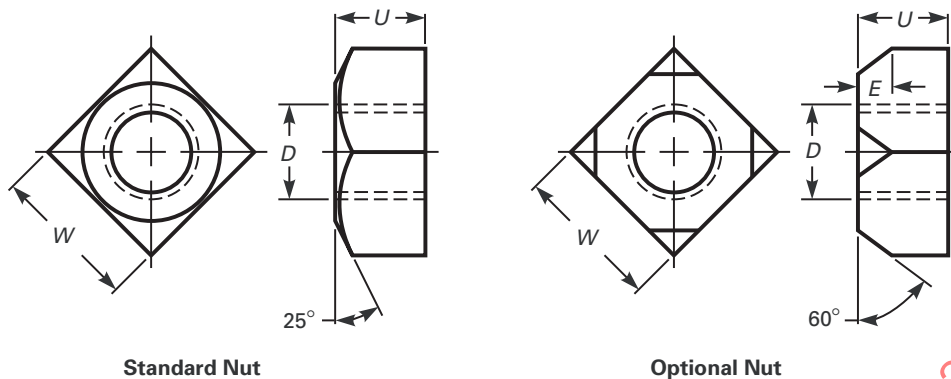


Table 3 Track Bolt Nuts

Nominal Diameter, <i>D</i>	Width Across Flats, <i>W</i>		Thickness, <i>U</i>						Chamfer, <i>E</i> (Optional Nut Only) [Note (1)]	
			Recommended for Grade DH Nuts			Recommended for Grade C Nuts				
			Nom.	Max.	Min.	Nom.	Max.	Min.		
$\frac{3}{4}$ -10	$1\frac{1}{4}$	1.2500	1.212	$\frac{3}{4}$	0.774	0.710	$\frac{7}{8}$	0.901	0.833	$\frac{1}{4}$
$\frac{7}{8}$ -9	$1\frac{7}{16}$	1.4375	1.394	$\frac{7}{8}$	0.901	0.833	1	1.028	0.956	$\frac{1}{4}$
1-8	$1\frac{5}{8}$	1.6250	1.575	1	1.028	0.956	$1\frac{1}{8}$	1.155	1.079	$\frac{3}{8}$
$1\frac{1}{8}$ -7	$1\frac{13}{16}$	1.8125	1.756	$1\frac{1}{8}$	1.115	1.079	$1\frac{1}{4}$	1.282	1.187	$\frac{1}{2}$

GENERAL NOTES:

- (a) All dimensions are given in inches.
- (b) 60 deg chamfer is optional when specified. (Dimensions for track bolt nuts are the same as American National Standard, ASME B18.2.2 for sizes shown.)
- (c) Grade DH and Grade C are defined in ASTM A 563.

NOTE:

- (1) This dimension is not specified in ASME B18.2.2, which specifies the diameter of the top circle instead.

Table 4 Track Bolt Inspection Levels

Characteristic	Inspection Level
Thread acceptance	C
Head height	B
Head diameter	B
Hardness	A

Table 5 Track Nut Inspection Levels

Characteristic	Inspection Level
WAC	B
Thickness	B
Thread acceptance	C
Hardness	A

2.14 Inspection and Quality Assurance

Unless otherwise specified, products shall be furnished in accordance with ASME B18.18.1.

Designated characteristics for track bolts and nuts shall be inspected in accordance with ASME B18.18.2, with final inspection levels as shown in Tables 4 and 5.

Sample sizes for these inspection levels shall be in accordance with Table 3 of ASME B18.18.2.

2.15 Material

Unless otherwise specified, chemical and mechanical properties of the track bolts shall conform to ASTM A 449 or ASTM A 354 Grade BD. Heavy square nuts shall conform to ASTM A 563 Grade DH when used with ASTM A 354 Grade BD track bolts, and Grade C or Grade DH when used with ASTM A 449 track bolts. If the bolts are galvanized, the nuts shall be Grade DH.

NONMANDATORY APPENDIX A OVAL NECK TRACK BOLTS

Table A-1 Oval Neck Track Bolts
Additional sizes now in use but not recommended for new design.

Nominal Diameter Over Thread, D	Head				Neck					Length Under Head, L [Note (1)]	Minimum Thread Length, l
	A	H	r_1	r_2	O	R	P	r_3 [Note (1)]	V [Note (1)]		
$1\frac{3}{16}$ -10	$1\frac{9}{32}$	$1\frac{5}{32}$	$1\frac{5}{32}$	$\frac{7}{16}$	$1\frac{1}{16}$	$1\frac{1}{32}$	$\frac{7}{16}$	$\frac{1}{2}$	Same as body dia. of bolt	Under 7 in. by steps of $\frac{1}{4}$ in. From 7 in. to 10 in. by steps of $\frac{1}{2}$ in.	$1\frac{7}{8}$
$1\frac{5}{16}$ -9	$1\frac{31}{64}$	$\frac{35}{64}$	$1\frac{25}{64}$	$\frac{33}{64}$	$1\frac{7}{32}$	$1\frac{3}{16}$	$\frac{1}{2}$				$2\frac{1}{8}$
$1\frac{1}{16}$ -8	$1\frac{11}{16}$	$\frac{5}{8}$	$1\frac{5}{8}$	$\frac{19}{32}$	$1\frac{3}{8}$	$1\frac{11}{32}$	$\frac{9}{16}$				$2\frac{3}{8}$

NOTE:

(1) Applies to all rows.

ASMENORMDOC.COM : Click to view the full PDF of ASME B18.10 2006